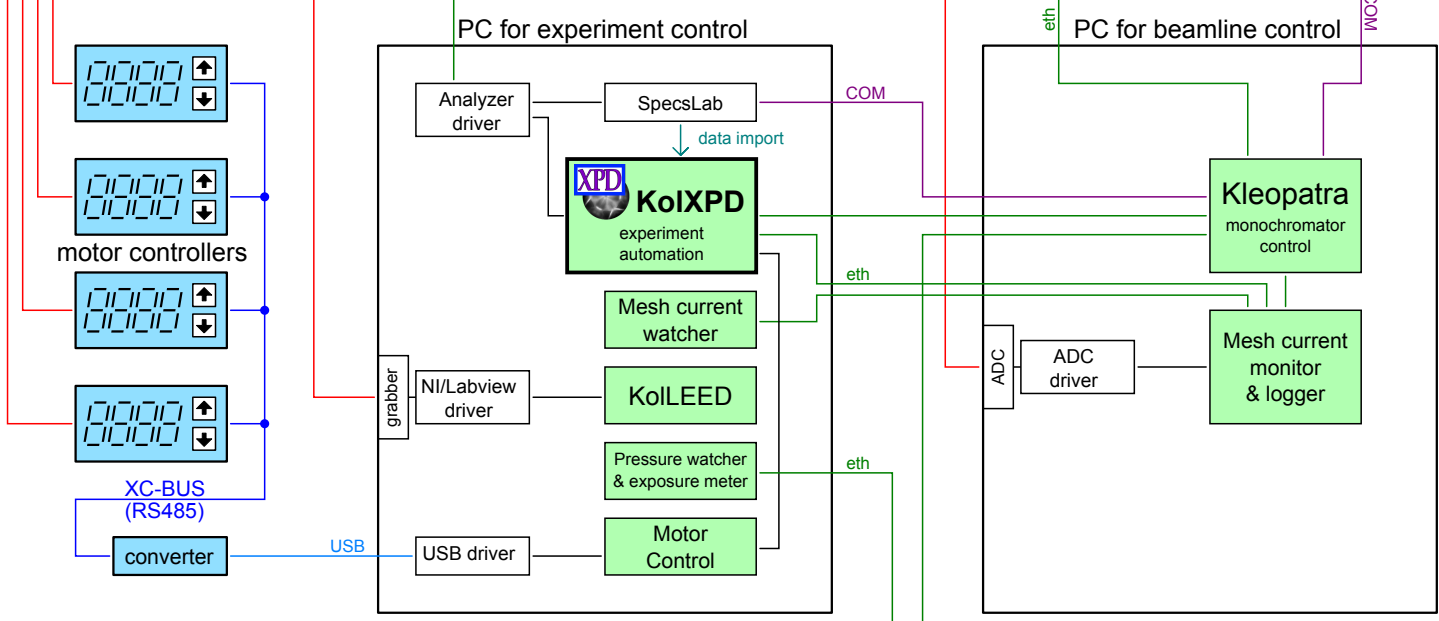


**Legend:**

- Electronics developed and built by Jiří Libra
- Software developed by Jiří Libra
- Analog and power links
- Communication links

**Main features:**

- automatic monochromator and prefocus mirror control
- measurements with synchrotron radiation (SRPES)
- automated angle-resolved experiments (XPD, ARPES, ...)
- automated energy-resolved experiments (RESPES, NEXAFS, XANES, ...)



BCS - Elettra's Beamline Control System  
(beamline/ring status, chamber pressures, etc.)

\* only significant parts of system are shown